

The



Shuttle

April 2019

*The Next NASFA Meeting is Saturday 20
April 2019 at Willowbrook Madison*

Effective Immediately: Vice President and Shuttle Editor, Mike Kennedy, has resigned both of these positions. Mr. Kennedy still serves on the Board of Directors.

Mr. Kennedy broke his foot on 2019 February 17, and has suffered a hematoma in the other leg. Mr. Kennedy is recovering at home, but does not feel he can continue his official duties with NASFA at this time.

NASFA Bylaws: Article 3, Section 1, Clause A

The regular officers of **NASFA** shall be President, Vice-President, Secretary, Treasurer, Program Director, and Publicity Director. Any member shall be eligible to be an officer, but may hold only one of the above offices at a time. Officers shall be elected by a vote of the membership at the next-to-last regularly scheduled meeting of each calendar year and shall serve without salary for a term of one year. They shall assume their duties on January 1 following the election. **Exceptions may be made and special elections held at the vote of the membership.**

NASFA Bylaws: Article 3, Section 2, Clause B

The Vice-President shall:

- 1) Perform the duties of the President as set forth above in the case of the President's absence or incapacity.
- 2) Oversee all publications of **NASFA** excluding: any convention related publications (which are under the offices of Convention Chairman), and such publications as may be designated special publications by a vote of the membership. For each publication in his/her charge, the Vice-President may either act as editor, or appoint any willing member to be editor while acting as executive editor. These publications shall include at least a monthly newsletter which shall contain at least the minutes of the previous meeting and a list of upcoming meetings for the next two months.

Calendar of Events

April

- 01 April Fools' Day.
- 03 Isra and Mi'raj.
- 03 BD: Kevin Ward.
- 05–07 221B Con—Atlanta GA.
- 06 National Tartan Day.
- 07 BD: Mary Lampert.
- 07 El Horario de Verano comienza (Mexico).
- 07 World Health Day (Canada).
- 09 National Library Workers' Day.
- 13 BD: Thomas Jefferson.
- 13 FarleyCon—East Ridge TN.
- 14 Palm Sunday.
- 15 BD: "Uncle Timmy" Bolgeo.
- 15 BD: Manda Freeman.
- 15 Tax Day (Maine and Massachusetts on 17th).
- 15 Patriot's Day.
- 18–21 Frolicon—Atlanta GA.
- 19 Good Friday.
- 19–21 MTAC—Nashville TN.
- 19–21 Conglomeration—Louisville KY.
- 20* NASFA Meeting—6P Business, 6:30P Program.
- 21 BD: Randy B. Cleary.
- 26 BD: Chloe Airoidi.
- 30 BD: Mark Maxwell.

May

- 14 BD: Nancy Whittle.
- 16 BD: Linda Bolgeo.
- 18* NASFA Meeting—6P Business, 6:30P Program,
at Willowbrook Madison.
- 19 BD: David O. Miller.
- 27 BD: Kathy Paulk.

NASFA Minutes

By Steve Sloan, in the absence of Doug Lampert

The March meeting of the North Alabama Science Fiction Association was called to order on Saturday, March 23, 2019 in the Madison satellite location of Willowbrook Baptist Church at 6:14:33 PM by Treasurer Sam Smith, because Mary and Mike K. were out and Steve delegated to Sam so he could scribble the minutes. The gavel was replaced by George stomping his foot multiple times.

OLD BUSINESS

Back in January, the club discussed selling Con†Stellation's art show to Hypericon in Nashville. Has anyone thought about it?

Treasurer Sam reported that the convention checking account has about \$5,000 after he merged the various accounts that he closed.

We will need the art show if we win the bid for DeepSouthCon 60 that we are considering. Should we get in touch with Brian with Hypericon to ask how much of the art show they need? We have options.

Mike S. moved to table discussion of selling the art show, Judy seconded, and the motion passed many to one.

A Doctor Who roast is coming up on June 9. The club will probably buy tickets this week, so get in touch if you'd like to go.

Dues are due.

NEW BUSINESS

Nope.

NOT-A-CON BUSINESS

Not-a-Con is scheduled for Friday, October 18 through Saturday, October 19. We will be holding it at the Holiday Inn Express again. If you'd like to stay at the con hotel, you should make reservations soon. The block of rooms set up for convention attendees expires by two weeks before the con. The website will be updated soon. We might consider inviting a guest. Not-a-Con will not be hosting a room party at Liberty Con this year.

ANNOUNCEMENTS

Co-Programming Director Judy reported that for next month's NASFA program, we will host a discussion by a UAH student doing a paper on gaming, history, and using gaming to teach history.

The meeting adjourned at 6:22:57 PM.

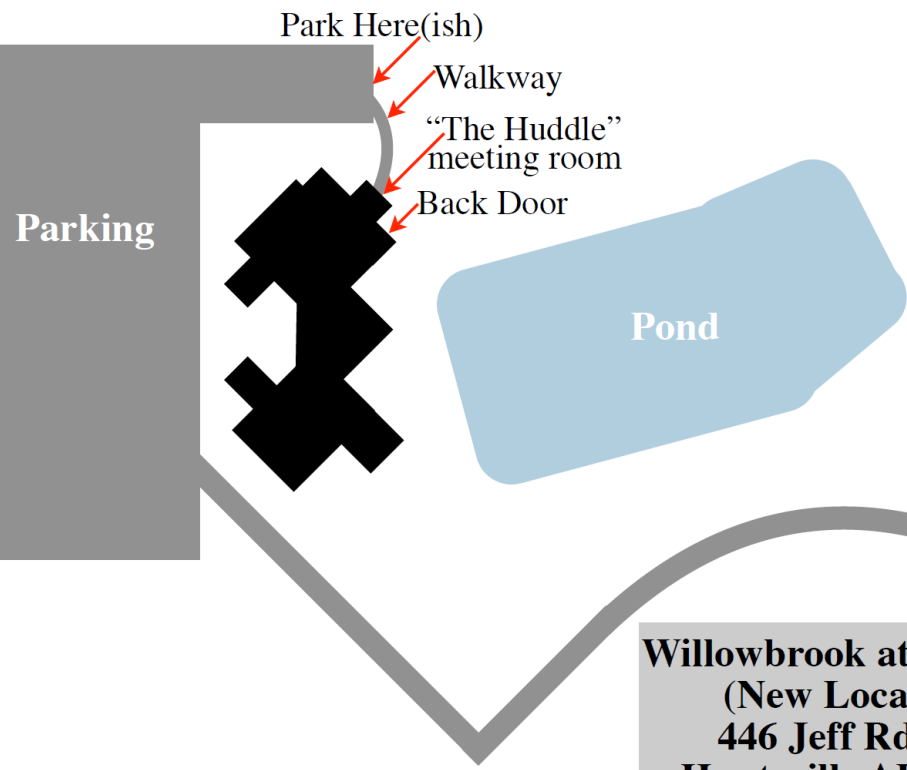
The March program was a discussion by various club members about their favorite convention, convention moment, or costume. The After the Meeting Meeting was hosted by Sam and Judy at the regular meeting location.

News

Due to circumstances beyond their control LibertyCon 32 has been moved to 28-30 June 2019 at the Marriott and the Chattanooga Convention Center.

Map to New Meeting Location— Final Approach & Parking

Jeff Road



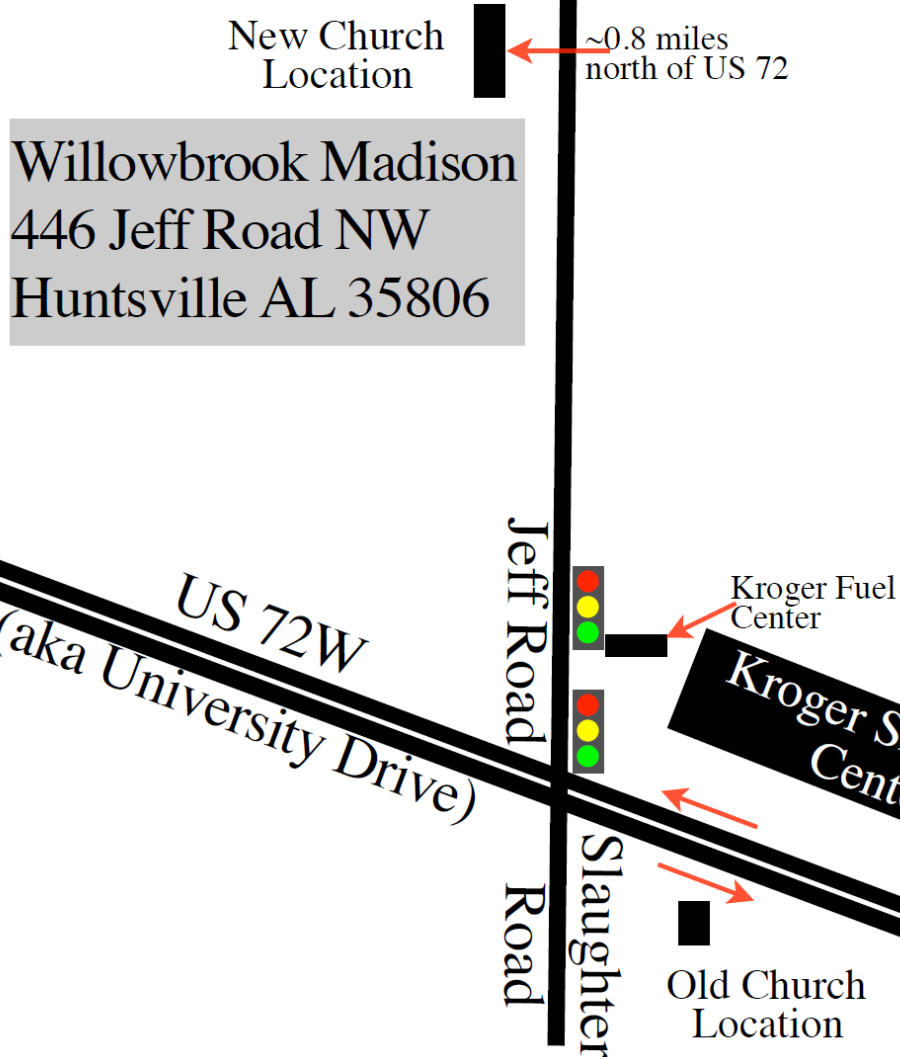
Park Here(ish)
Walkway
“The Huddle” meeting room
Back Door

Parking

Pond

**Willowbrook at Madison
(New Location)
446 Jeff Rd NW
Huntsville AL 35806**

Map To New Meeting Location



New Church Location
~0.8 miles north of US 72

**Willowbrook Madison
446 Jeff Road NW
Huntsville AL 35806**

Jeff Road
Slaughter Road

US 72W
(aka University Drive)

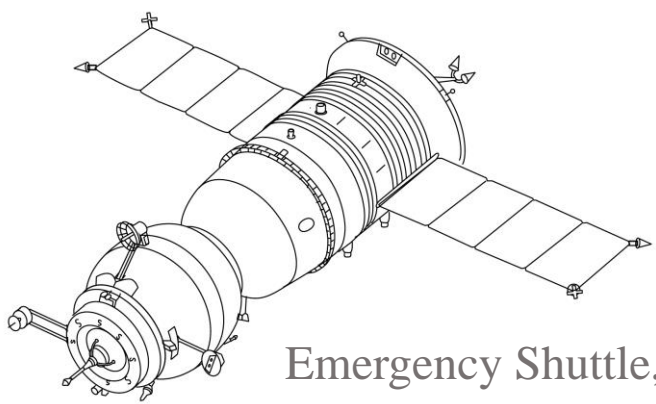
Kroger Fuel Center
Kroger Shopping Center

Old Church Location

NASFA
P. O. Box 4857
Huntsville AL 35815-4857

The NASFA Shuttle is the newsletter of the North Alabama Science Fiction Association, Inc. This is the April 2019 edition (Volume 39, Number 4). NASFA Officers for 2019: President Mary Lampert; Vice President TBD; Secretary Steve Sloan; Treasurer Sam Smith; Program Director “JudySue Thornsmythe”; Publicity Director Sam Smith. Shuttle Editor Doug Lampert (acting). Pending selection of a new shuttle editor: Mail to: NASFA, Inc., P. O. Box 4857, Huntsville AL 35815-4857
The NASFA Shuttle is © 2019 by the North Alabama Science Fiction Association. All rights revert to contributors.
All opinions are those of the individual authors and do not reflect NASFA policies other than by coincidence. LoCs subject to edited printing.

NASFA Dues = \$25/year (Family rates available) Subscription only = \$15/year Single copy = \$2 each



Emergency Shuttle,
Looks a lot like a Soyuz